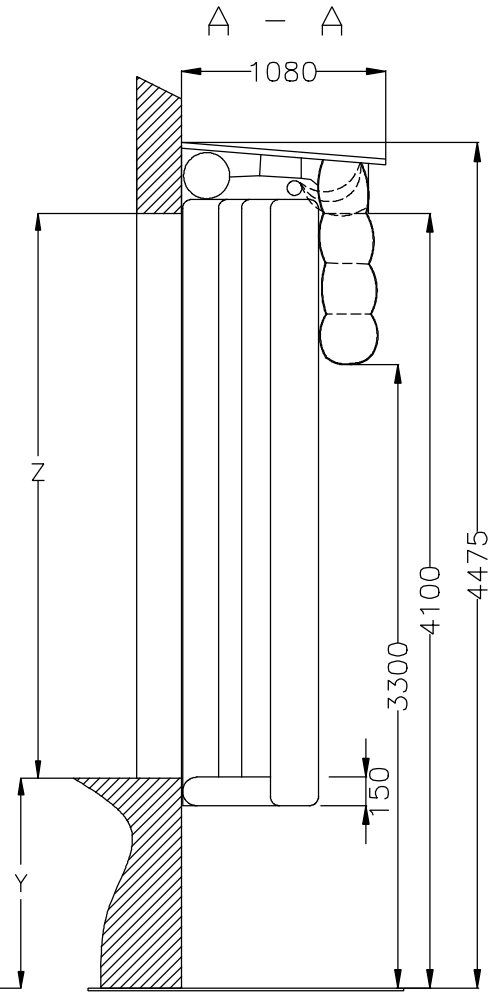
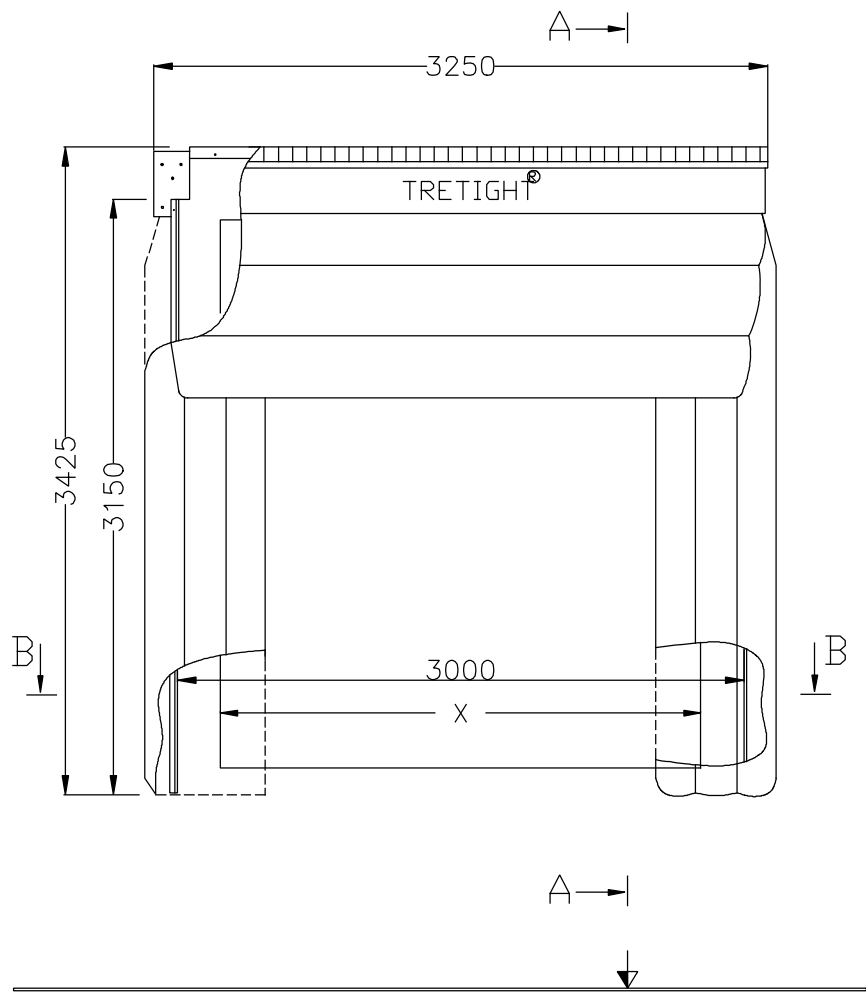
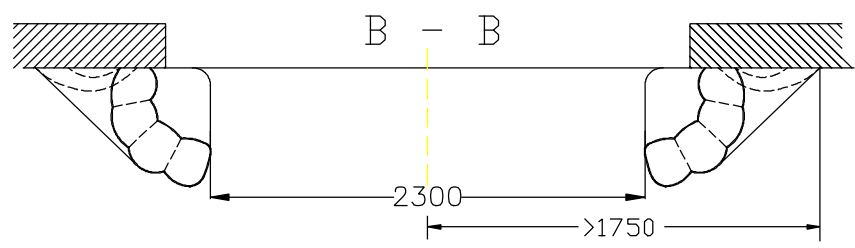


RevNo	Revision note	Date	Signature	Checked
1				



Y = 1200
X < 3000
Z < 3000



Sheet	Description			Art.no._	
Designed by LSN_TPPAB	Checked by LSN	Approved by - date LSN	Filename TPP	Date LSN_2011-12-29	Scale 1:40
ANSELL Protective Solutions AB			TRETIGHT_800		
			6-4-363035-41	Edition A	Sheet 1/1